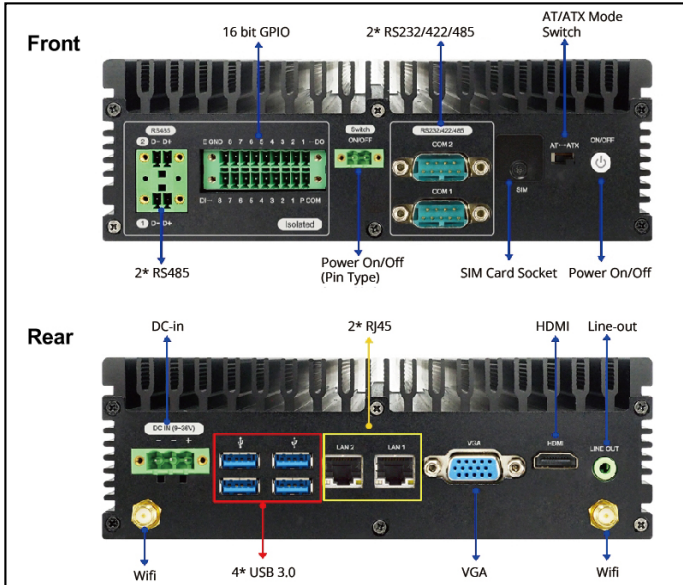


HBJC386F951T-394B



Special

Fanless System with Intel® E3940 SoC Processor, Supporting -40 ~ 70°C and 9-36V DC-in



Features

- Powered by Intel® Celeron® Processor E3940 (Apollo Lake, TDP 10W)
- Isolated I/O: 1 x 16-bit Isolated GPIO and 2 x Isolated RS485
- Comprehensive I/O: 4 x USB 3.0, 4 x COM, 1 x VGA, 1 x HDMI, 2 x RJ45, and 1 x SIM Card Slot
- Supports Wall Mount and DIN Rail Clip for Easy Installation
- Wide-Range Power Input: 9-36V DC-in (Phoenix Terminal Connector)
- Wide Operating Temperature: -40 ~ 70°C for Different Industrial Applications

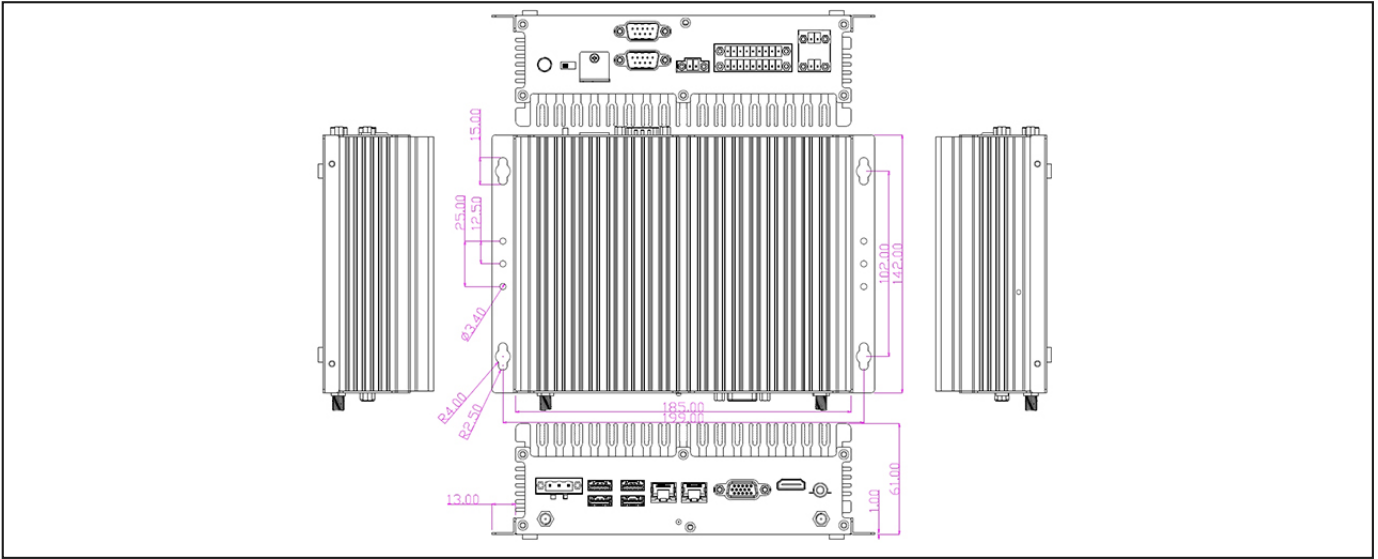
Packing List

PART NUMBER	DESCRIPTION	QTY
HBJC386F951T Series	HBJC386F951T Series	1
L01AS062-F	Adapter 19V/90W	1
Change according to shipping area	Power cord	1
LCSCHBJC3XX-F	Screw Pack	1
HCS3XXDINRAILPS-F	DIN RAIL KITS	1
HCS370MWM01B-2-F	WALL MOUNT	1
J05-AN2450-74S01-F	WIFI Antenna (Wifi only)	1
HNSCOMWFAWCB161HF	Mini PCIe ac Wifi card (Wifi only)	1

Specifications

SYSTEM	
MB FORM FACTOR	Performance
CPU	Onboard Intel® Celeron® Processor E3940 (Formerly Apollo Lake, TDP 10W)
CHIPSET	Intel® SoC
MEMORY	1 x DDR3L 1866MHz SO-DIMM up to 8GB
BIOS	AMI Flash ROM
OS SUPPORT	Windows® 10 (64bit) Linux
POWER	
POWER REQUIREMENT	DC-in 9-36V 90W Adapter: AC90-240V, DC19V/4.7A
DISPLAY	
HDMI	1 x HDMI (Max.Resolution: 3840 x 2160@30Hz)
VGA	1 x VGA (Max Resolution: 1920 x 1080 @60Hz)
LAN	
ETHERNET	2 x RJ45 for Intel® I210-IT GbE
SYSTEM I/O	
REAR PANEL I/O	4 x USB 3.0 2 x RJ45 1 x VGA 1 x HDMI 1 x Line-out 2 x WIFI Antenna Holes 1 x DC-in
FRONT PANEL I/O	2 x RS-232/422/485 1 x Power Button + Power LED 1 x Power Switch 2 x RS-485 (Isolation Protection 2,500VDC) 1 x 16-bit GPIO (8-IN, 8-OUT, Isolation Protection 2,500VDC) 1 x ATX & AT mode Switch
STORAGE	
MINI PCI-E	1 x Full Size Mini-PCIe
EXPANSION	
M.2	1 x M-key 2280 for SSD
SIM	1 x SIM Card Slot
MECHANICAL	
MOUNTING	Wall Mount, DIN Rail Clip
DIMENSIONS (W x H x D)	185.0 (W) x 142.0 (D) x 60.0 (H) mm
GROSS WEIGHT	3.5 kg (7.7 lb)
NET WEIGHT	2.2 kg (4.8 lb)
ENVIRONMENT & CERTIFICATION	
SHOCK	15G, 11ms duration
VIBRATION	1 Grms/ 5- 500Hz/ Operation
OPERATING TEMPERATURE	-40°C ~ 70°C (-40°F ~ 158°F)
STORAGE TEMPERATURE	-40°C ~ 80°C (-40°F ~ 176°F)
OPERATING HUMIDITY	10 ~ 90% Relative Humidity, Non-condensing
CERTIFICATION	CE/FCC Class A LVD
ESG DECLARATION	EU RoHS China RoHS ErP

Dimension Unit: mm



Ordering Information

PART NUMBER	HBJC386F951T-394B	HBJC386F951T394B
CPU	Intel® Celeron® E3940	Intel® Celeron® E3940
POWER REQUIREMENT	DC-in 9-36V	DC-in 9-36V
HDMI	1 x HDMI	1 x HDMI
VGA	1 x VGA	1 x VGA
ETHERNET	2 x GbE	2 x GbE
I/O	4 x USB 3.0	4 x USB 3.0
I/O	4 x COM	4 x COM
I/O	1 x Line-out	1 x Line-out
I/O	1 x DC Jack	1 x DC Jack
I/O	1 x Power Button + Power LED	1 x Power Button + Power LED
I/O	1 x Power Switch	1 x Power Switch
I/O	1 x GPIO	1 x GPIO
I/O	2 x SMA	2 x SMA
I/O	1 x SIM Card Slot	1 x SIM Card Slot
I/O	1 x ATX & AT mode Switch	1 x ATX & AT mode Switch
MINI PCI-E	1 x Full mini PCIe	1 x Full mini PCIe
M.2	1 x M-Key 2280	1 x M-Key 2280
OTHER		WiFi(ac)
OPERATING TEMPERATURE	-40°C - 70°C (-40°F - 158°F)	-40°C - 70°C (-40°F - 158°F)