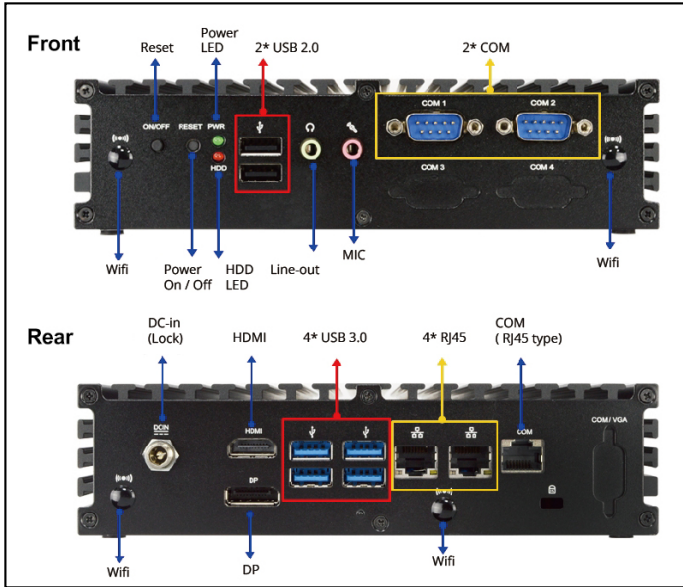


HBJC377F531-316R



3.5"

Fanless Compact Box PC with Intel® Braswell N3160



Features

- Powered by Intel® Celeron® N3160 Processor (Braswell, TDP 6W)
- Dual Display: Supports HDMI and DP outputs
- Expandable Connectivity: 1 x SATA, 1 x M.2 (M-key 2242), 1 x mini-PCIe slot for add-ons
- Comprehensive I/O: 6 x USB, 5 x COM, HDMI, DP, dual LAN, MIC, and Line-Out
- Wide Power Range: DC 9~36V input
- Versatile Mounting: Fanless compact design supports Wall Mount and DIN rail installation
- Optional TPM 2.0 support

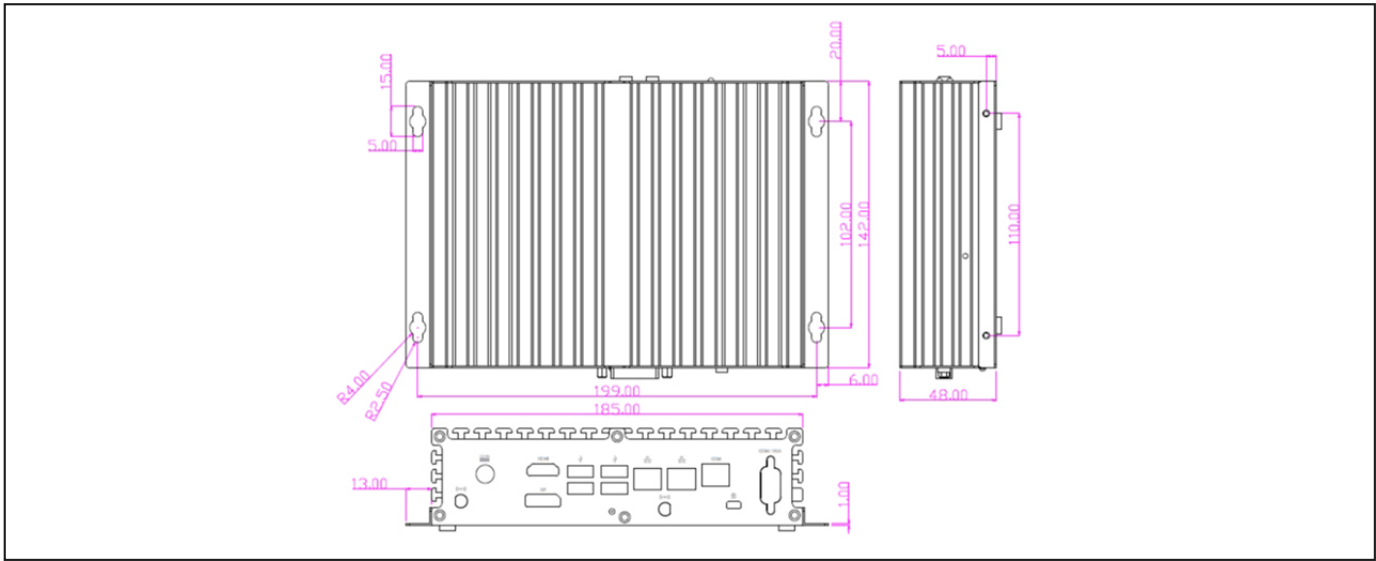
Packing List

PART NUMBER	DESCRIPTION	QTY
HBJC377F531-316R Series	HBJC377F531-316R Series	1
L01AS052-F	Adapter 12V/5A_60W	1
Change according to shipping area	Power Cord	1
LCSCHBJC3XX-F	Screw Pack	1
G01-COM-H2M20-1F	COM Cable, L=240mm	1
HCS370MWM01B-2-F	Wall Mount Kit	1
HCS3XXDINRAILPS-F	DIN Rail Clip	1
HNSCOMWFAWCB161HF	Mini PCIe ac Wifi Card (HBJC377F531Z-316R only)	1

Specifications

SYSTEM	
MB FORM FACTOR	3.5"
CPU	Onboard Intel® Celeron® Processor N3160 (Formerly Braswell, TDP 6W)
CHIPSET	Intel® SoC
MEMORY	1 x DDR3L 1600MHz, Single Channel SO-DIMM, up to 8GB
BIOS	AMI 64Mb Flash ROM
SECURITY	TPM2.0 (Optional)
OS SUPPORT	Windows® 11 (64bit) Windows® 10 (64bit) Windows® 7 (64bit) Windows® 7 (32bit) Linux
POWER	
POWER REQUIREMENT	DC-in 9~36V 60W Adapter: AC90~240V, DC12V/5.0A
DISPLAY	
GPU	Intel® HD Graphics
DP	1 x DP (Max Resolution: 2560 x 1600@60Hz)
HDMI	1 x HDMI (Max Resolution: 2560 x 1600@60Hz)
MULTIPLE DISPLAY	Support 2 Displays
LAN	
ETHERNET	2 x RJ45 for Realtek® RTL81191 GbE
SYSTEM I/O	
REAR PANEL I/O	4 x USB 3.0 2 x RJ45 1 x COM (RJ45 Type) 1 x HDMI 1 x DP 1 x DC-in (Lockable) 2 x WIFI Antenna Holes
FRONT PANEL I/O	2 x USB 2.0 2 x COM 2 x COM (Optional) 1 x Line-out 1 x MIC-in 1 x HDD LED 1 x Power Button + Power LED 1 x Reset Button 2 x WIFI Antenna Holes
STORAGE	
SATA	1 x 2.5" SATA Device (support 2.5" HDD with a height < 10mm)
MINI PCI-E	1 x Half Size Mini-PCIe
EXPANSION	
M.2	1 x M-Key 2242 (SATA)
OTHERS	
OTHER	WIFI (Optional)
MECHANICAL	
MOUNTING	Wall Mount, DIN Rail Clip
DIMENSIONS (W x D x H)	185.0 (W) x 142.0 (D) x 48.0 (H) mm
ENVIRONMENT & CERTIFICATION	
SHOCK	15G, 11ms duration
VIBRATION	1 Grms/ 5- 500Hz/ Operation
OPERATING TEMPERATURE	0°C ~ 50°C (32°F ~ 122°F)
STORAGE TEMPERATURE	-40°C ~ 85°C (-40°F ~ 185°F)
OPERATING HUMIDITY	10 ~ 95% @ 40°C, Non-condensing
CERTIFICATION	CE/FCC Class A
ESG DECLARATION	EU RoHS China RoHS ErP

Dimension Unit: mm



Ordering Information

PART NUMBER	HBJC377F531-316R	HBJC377F531Z-316R
CPU	Intel® Celeron® N3160	Intel® Celeron® N3160
POWER REQUIREMENT	DC-in 9-36V	DC-in 9-36V
GPU	Intel® HD Graphics	Intel® HD Graphics
DP	1 x DP	1 x DP
HDMI	1 x HDMI	1 x HDMI
MULTIPLE DISPLAY	Support 2 Displays	Support 2 Displays
ETHERNET	2 x GbE	2 x GbE
I/O	4 x USB 3.0	4 x USB 3.0
I/O	2 x USB 2.0	2 x USB 2.0
I/O	5 x COM	5 x COM
I/O	1 x DC-in (Lockable)	1 x DC-in (Lockable)
I/O	1 x Line-out	1 x Line-out
I/O	1 x MIC-in	1 x MIC-in
I/O	1 x Power LED	1 x Power LED
I/O	1 x HDD LED	1 x HDD LED
I/O	1 x Power Button	1 x Power Button
I/O	1 x Reset	1 x Reset
I/O	4 x SMA	4 x SMA
SATA	1 x 2.5" SATA Device	1 x 2.5" SATA Device
MINI PCI-E	1 x Half mini PCIe	1 x Half mini PCIe
M.2	1 x M-Key 2242	1 x M-Key 2242
OTHER		WiFi(ac)
OPERATING TEMPERATURE	0°C - 50°C (32°F - 122°F)	0°C - 50°C (32°F - 122°F)