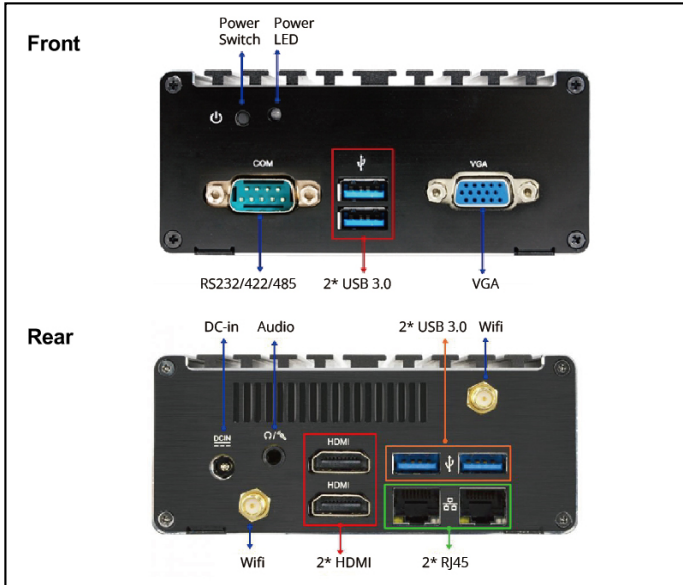


HBJC313U691-345B



NUC

Compact Fanless System with Intel® SoC CPU Supporting Dual HDMI and VGA Displays



Features

- **Powered by Intel® SoC-J3455 Processor (Apollo Lake):** Ideal for reliable embedded applications
- **Diverse Display Outputs:** 2 x HDMI and 1 x VGA for versatile and flexible connectivity
- **Dual GbE Ethernet Ports:** Provides fast and stable networking for various applications
- **Comprehensive I/O and Expansion:** 1 x USB 3.0, 1 x COM, 1 x mSATA/half-size Mini PCIe, 1 x SIM card
- **Compact Fanless Design:** Dimensions of 116 x 110 x 49 mm with support for Wall and VESA mounting

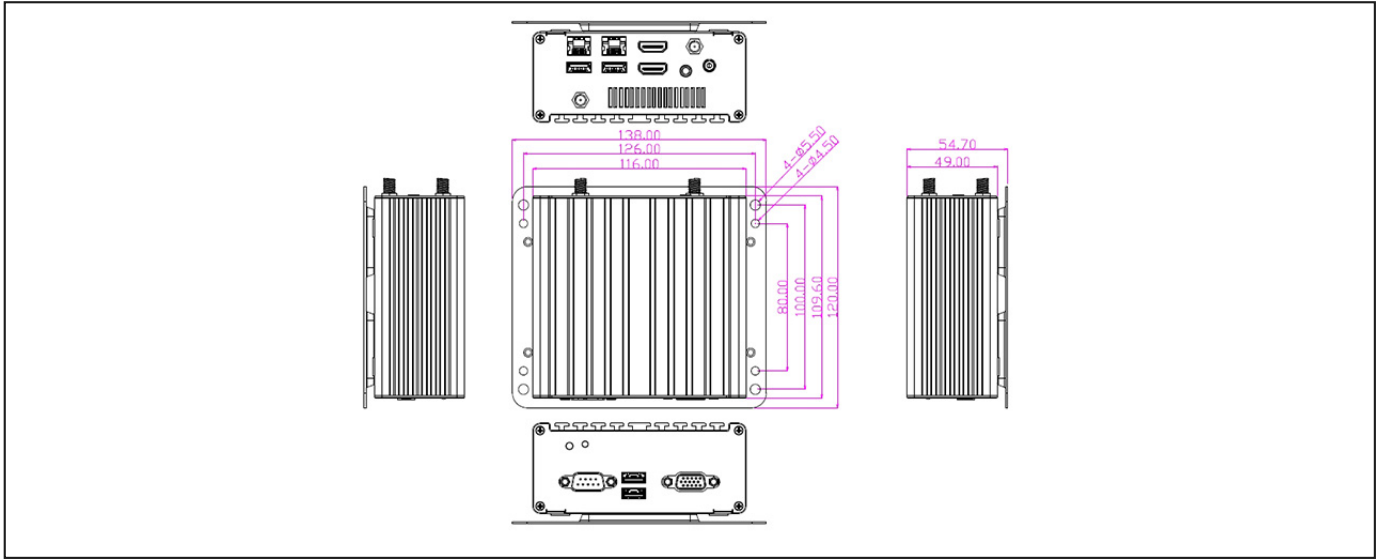
Packing List

| PART NUMBER | DESCRIPTION | QTY |
|-----------------------------------|---|-----|
| HBJC313U691 Series | HBJC313U691 Series | 1 |
| HCS310MWM01B-2F | JC3XX/4XX Wall+VESA Mount | 1 |
| L01AS050-F | Adapter 12V/40W | 1 |
| Change according to shipping area | | |
| | Power Cord | 1 |
| LCSCHBJC3XX-F | JBC3XX Barebone Screw Pack | 1 |
| J05-ANT-GX57245-F | Antenna2G4/5G 2.8dBi GX572450001SM (Wifi Series Only) | 1 |
| HCS3XXDINRAILPS-F | Din Rail Clip | 1 |
| HNSCOMFWAWCB161HF | Mini PCIe AC Wifi Card (Wifi Series Only) | 1 |

Specifications

| SYSTEM | |
|-----------------------------|---|
| MB FORM FACTOR | Compact |
| CPU | Onboard Intel® Celeron® Processor J3455 (Formerly Apollo Lake, TDP 10W) Onboard Intel® Celeron® Processor N3350 (Formerly Apollo Lake, TDP 6W) |
| CHIPSET | Intel® SoC |
| MEMORY | 1 x DDR3L 1866MHz SDRAM SO-DIMM up to 8GB |
| BIOS | AMI Flash ROM |
| OS SUPPORT | Windows® 10 (64bit) Linux |
| POWER | |
| POWER REQUIREMENT | DC-in 12V 40W Adapter: AC90-240V, DC12V/3.3A |
| DISPLAY | |
| HDMI | 2 x HDMI 1.4 (Max. Resolution: 3840 x 2160@30Hz) |
| VGA | 1 x VGA (Max Resolution: 1920 x 1080 @60Hz) |
| LAN | |
| ETHERNET | 2 x RJ45 GbE |
| SYSTEM I/O | |
| REAR PANEL I/O | 2 x USB 3.0 2 x HDMI 1.4 2 x RJ45 1 x Audio (Line out, MIC Combo) 2 x WIFI Antenna Holes 1 x DC-in Jack (12V) |
| FRONT PANEL I/O | 1 x Power Button 1 x Power LED 2 x USB 3.0 1 x RS-232/422/485 1 x VGA |
| STORAGE | |
| MINI PCI-E | 1 x Half Size Mini-PCIe |
| mSATA | 1 x Full Size mSATA (shared with mPCIe) |
| EXPANSION | |
| SIM | 1 x SIM Card Slot |
| MECHANICAL | |
| MOUNTING | Wall, VESA Mount, Din Rail Clip |
| DIMENSIONS (W x H x D) | 116.0 (W) x 110.0 (D) x 49.0 (H) mm |
| GROSS WEIGHT | 1.6 kg |
| NET WEIGHT | 0.9 kg |
| ENVIRONMENT & CERTIFICATION | |
| SHOCK | 15G, 11ms duration |
| VIBRATION | 1 Grms/ 5- 500Hz/ Operation |
| OPERATING TEMPERATURE | 0°C - 50°C (32°F - 122°F) |
| STORAGE TEMPERATURE | -10°C - 70°C (14°F - 158°F) |
| CERTIFICATION | CE/FCC Class A |
| ESG DECLARATION | EU RoHS China RoHS ErP |

Dimension Unit: mm



Ordering Information

| PART NUMBER | HBJC313U691-335B | HBJC313U691-345B | HBJC313U691Z-335B | HBJC313U691Z-345B |
|-----------------------|---------------------------------|---------------------------------|---------------------------------|---------------------------------|
| CPU | Intel® Celeron® N3350 | Intel® Celeron® J3455 | Intel® Celeron® N3350 | Intel® Celeron® J3455 |
| POWER REQUIREMENT | DC-in 12V | DC-in 12V | DC-in 12V | DC-in 12V |
| HDMI | 2 x HDMI | 2 x HDMI | 2 x HDMI | 2 x HDMI |
| VGA | 1 x VGA | 1 x VGA | 1 x VGA | 1 x VGA |
| ETHERNET | 2 x GbE | 2 x GbE | 2 x GbE | 2 x GbE |
| I/O | 4 x USB 3.0 | 4 x USB 3.0 | 4 x USB 3.0 | 4 x USB 3.0 |
| I/O | 1 x COM | 1 x COM | 1 x COM | 1 x COM |
| I/O | 1 x Audio (Line-out, MIC Combo) | 1 x Audio (Line-out, MIC Combo) | 1 x Audio (Line-out, MIC Combo) | 1 x Audio (Line-out, MIC Combo) |
| I/O | 2 x SMA | 2 x SMA | 2 x SMA | 2 x SMA |
| I/O | 1 x DC Jack | 1 x DC Jack | 1 x DC Jack | 1 x DC Jack |
| I/O | 1 x Power Button | 1 x Power Button | 1 x Power Button | 1 x Power Button |
| I/O | 1 x Power LED | 1 x Power LED | 1 x Power LED | 1 x Power LED |
| SATA | 1 x SATA III | 1 x SATA III | 1 x SATA III | 1 x SATA III |
| MINI PCI-E | 1 x Half mini PCIe/mSATA | 1 x Half mini PCIe/mSATA | 1 x Half mini PCIe/mSATA | 1 x Half mini PCIe/mSATA |
| OTHER | | | Wifi | Wifi |
| OPERATING TEMPERATURE | 0°C - 50°C (32°F - 122°F) | 0°C - 50°C (32°F - 122°F) | 0°C - 50°C (32°F - 122°F) | 0°C - 50°C (32°F - 122°F) |