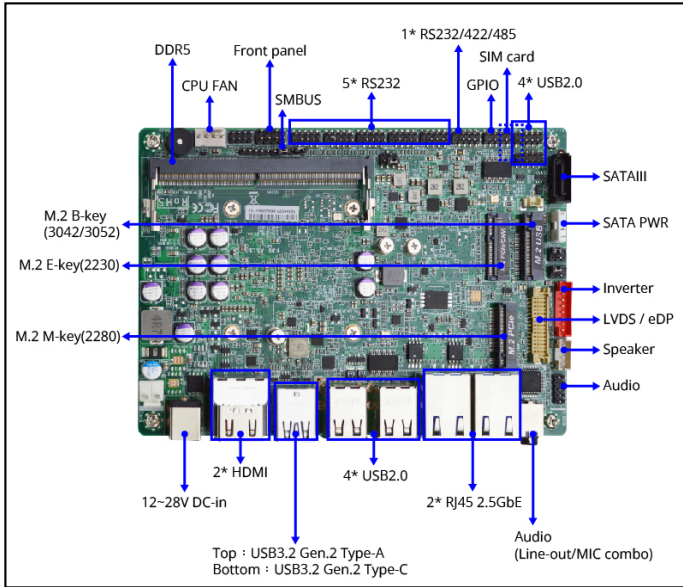


3.5" SubCompact Board with Intel® Atom Processor Soc, Wide Range DC-in Support (12-28V)



Features

- Powered by Intel® Atom X-series Processor(Formerly Amston Lake, TDP 9W)
- High-Performance Memory: 1 x DDR5 4800MHz S0-DIMM, up to 32GB
- Triple Display support: 2 x 4K HDMI, 1 x 4K USB Type-C DP, and 1 x LVDS/eDP output
- Dual 2.5GE LAN for high-speed networking
- Flexible storage option: 1 x SATA III, 1 x M.2 M-key
- Comprehensive I/O: 1 x USB 3.2 Gen 2, 1 x USB Type-C (ALT), 8 x USB 2.0, 6 x COM
- Advanced Power Protection: Supports RVP, OCP, and OVP
- Wide Power Input: DC-in 12-28V for greater power flexibility

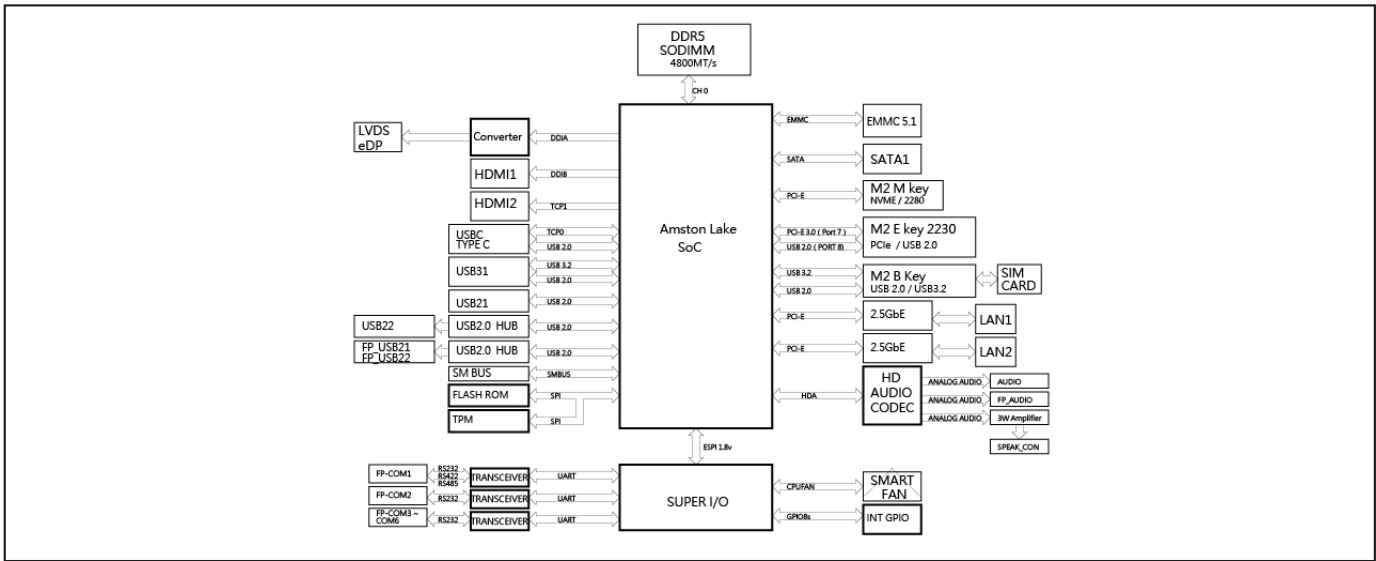
Packing List

PART NUMBER	DESCRIPTION	QTY
F35-ASL1	F35-ASL1 MB	1
HCS3XXMHT03S-5F	Flat type Heatsink (assembled)	1
HCS376MHT01S-F	CPU plate (assembled)	1
G01-SATA3-BL-1F	SATA cable, 50cm	1
G01-PW4PS2S-322-1F	SATA Power Y cable, 5.0pitch for 32cm, 2.54pitch for 20cm	1
G01-COM-H2M22-1F	COM Port Cable, 22cm, Pitch 2.0	2

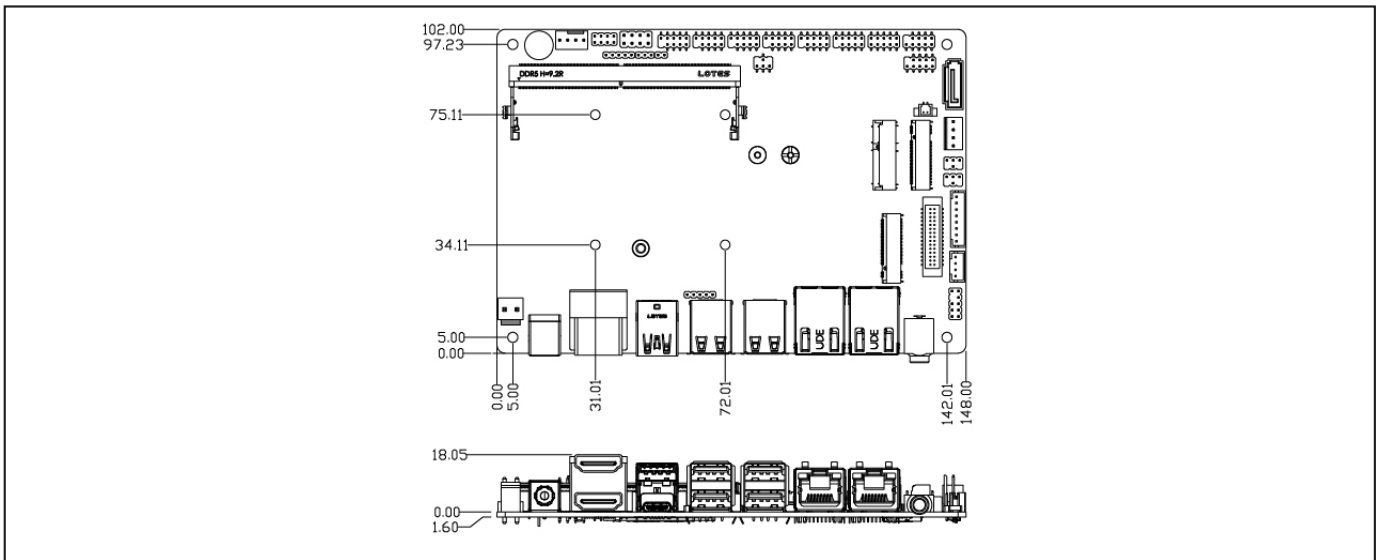
Specifications

SYSTEM	
MB FORM FACTOR	3.5"
CPU	Onboard Intel Atom® x7433RE Processor (Formerly Amston Lake, TDP 9W) For additional compatible CPUs, please contact regional sales
CHIPSET	Intel® SoC
MEMORY	1 x DDR5 4800MHz, Single Channel S0-DIMM, up to 32GB
BIOS	UEFI
WAKE ON LAN	Yes
WATCHDOG TIMER	255 Levels
SECURITY	TPM2.0 (dTPM, Optional)
RTC BATTERY	Lithium Battery
DIMENSION (W X D)	148.0 (W) x 102.0 (D) mm (5.8" x 4.0")
OS SUPPORT	Windows® 11 (64bit) Windows® 10 (64bit) Linux
POWER	
POWER REQUIREMENT	DC-in 12-28V
POWER ON MODE	AT / ATX (Default) Mode
CONNECTOR	Internal 2-pin Header
DISPLAY	
GPU	Intel® UHD Graphics
LVDS	1 x 24-bit Dual Channel LVDS (Max. Resolution: 1920 x 1080 @60Hz / Co-Lay eDP)
Type C DP	1 x Type C DP1.4a (Max Resolution: 4096 x 2304@60Hz)
HDMI	1 x HDMI 2.0b (Max Resolution: 4096 x 2160@60Hz), 1 x HDMI 1.4 (Max Resolution: 4096 x 2160@30Hz)
MULTIPLE DISPLAY	Support 3 Displays
AUDIO	
CODEC	Realtek Audio Codec
COMBO	1 x Combo Audio Jack for Line-Out / Mic-In
AMPLIFIER	3W
LAN	
ETHERNET	2 x RJ45 for Intel® I225-V 2.5GbE
USB PORT	
USB	Internal Header for 4 x USB 2.0 4 x USB 2.0 1 x USB 3.2 Gen 2x1 Type-C (10Gbps) Support DP ALT Mode 1 x USB 3.2 Gen 2x1 (10Gbps, Formerly USB 3.1 Gen 2)
SERIAL PORT	
COM	Internal Header for 1 x RS-232/422/485 Internal Header for 5 x RS-232
INTERNAL I/O	
GPIO	8-Bit
SMBUS	Yes
FAN	1 x 4-pin Connector for System Fan (PWM Mode)
FRONT PANEL	HDD Active LED Power LED Power On/Off Reset
ADDITIONAL	1 x Chassis intrusion 1 x AT/ATX Mode Selection
STORAGE	
SATA	1 x SATA III 1 x SATA Power Connector
eMMC	Onboard 64GB eMMC 5.1 (optional)
EXPANSION	
M.2	1 x B-Key 3042/3052 (USB 3.2/USB 2.0) for 4G/5G Module 1 x E-Key 2230 (USB 2.0/PCIe 3.0 x1) 1 x M-Key 2280 (PCIe 3.0 x2) Support NVMe
SIM	1 x Nano SIM Card Slot
ENVIRONMENT & CERTIFICATION	
SHOCK	15G, 11ms duration
VIBRATION	1 Grms/ 5- 500Hz/ Operation
OPERATING TEMPERATURE	-20°C - 60°C (-4°F - 140°F)
STORAGE TEMPERATURE	-20°C - 85°C (-4°F - 185°F)
OPERATING HUMIDITY	10 - 90% relative humidity, non-condensing
CERTIFICATION	CE/FCC Class A

Block Diagram



Dimension Unit: mm



Ordering Information

PART NUMBER	F35-ASL1-74330010	F35-ASL1-74330210	F35-ASL1-74330810
CPU	Intel® Atom® x7433RE Processor	Intel® Atom® x7433RE Processor	Intel® Atom® x7433RE Processor
SECURITY	Intel® PTI (TPM)	TPM2.0 (dTPM)	TPM2.0 (dTPM)
POWER REQUIREMENT	DC-in 12-28V	DC-in 12-28V	DC-in 12-28V
GPU	Intel® UHD Graphics	Intel® UHD Graphics	Intel® UHD Graphics
LVDS	1 x LVDS/eDP	1 x LVDS/eDP	1 x LVDS/eDP
TYPE C DP	1 x Type C DP	1 x Type C DP	1 x Type C DP
HDMI	2 x HDMI	2 x HDMI	2 x HDMI
MULTIPLE DISPLAY	Support 3 Displays	Support 3 Displays	Support 3 Displays
ETHERNET	2 x 2.5GbE	2 x 2.5GbE	2 x 2.5GbE
USB	8 x USB 2.0	8 x USB 2.0	8 x USB 2.0
USB	1 x USB 3.2 Gen 2 Type C	1 x USB 3.2 Gen 2 Type C	1 x USB 3.2 Gen 2 Type C
USB	1 x USB 3.2 Gen 2	1 x USB 3.2 Gen 2	1 x USB 3.2 Gen 2
COM	1 x RS-232/422/485	1 x RS-232/422/485	1 x RS-232/422/485
COM	5 x RS-232	5 x RS-232	5 x RS-232
SATA	1 x SATA III	1 x SATA III	1 x SATA III
eMMC			eMMC 64GB
M.2	1 x B-Key 3042/3052	1 x B-Key 3042/3052	1 x B-Key 3042/3052
M.2	1 x E-Key 2230	1 x E-Key 2230	1 x E-Key 2230
M.2	1 x M-Key 2280	1 x M-Key 2280	1 x M-Key 2280
SIM	1 x Nano SIM Card Slot	1 x Nano SIM Card Slot	1 x Nano SIM Card Slot
OPERATING TEMPERATURE	-20°C ~ 60°C (-4°F ~ 140°F)	-20°C ~ 60°C (-4°F ~ 140°F)	-20°C ~ 60°C (-4°F ~ 140°F)