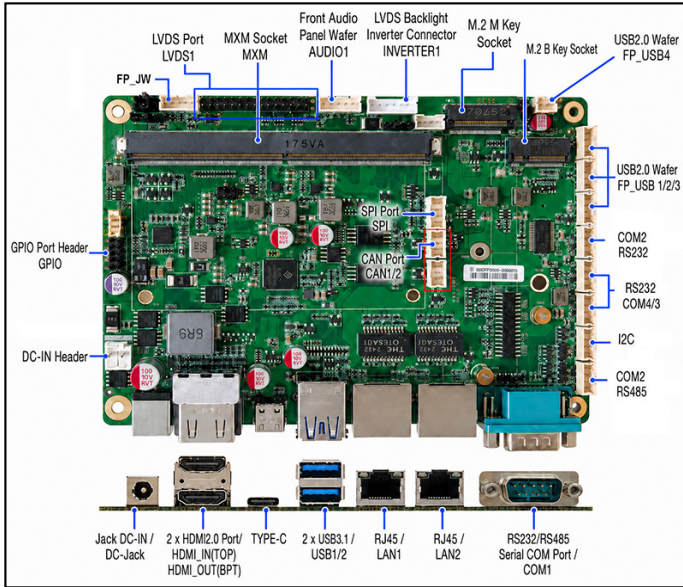


SMARC RK3588 Carrier Board with Dual GbE, HDMI Input/Output and Isolated CAN Bus



Features

- High-Speed USB 2 x USB 3.1 Gen 1, 4 x USB 2.0 Flexible COM 2 x RS232 + 2 x RS485, or 4 x RS232 Dual HDMI 1 x HDMI input, 1 x HDMI 2.1 output Type-C Display USB 3.1, DP 1.4 and OTG Dual Display 24-bit dual-channel LVDS and eDP Dual GbE 2 x RJ45 ports Isolated CAN 2 x CAN Bus with 5 kV isolation
- High-Speed USB 2 x USB 3.1 Gen 1, 4 x USB 2.0
- Flexible COM 2 x RS232 + 2 x RS485, or 4 x RS232
- Dual HDMI 1 x HDMI input, 1 x HDMI 2.1 output
- Type-C Display USB 3.1, DP 1.4 and OTG
- Dual Display 24-bit dual-channel LVDS and eDP
- Dual GbE 2 x RJ45 ports
- Isolated CAN 2 x CAN Bus with 5 kV isolation

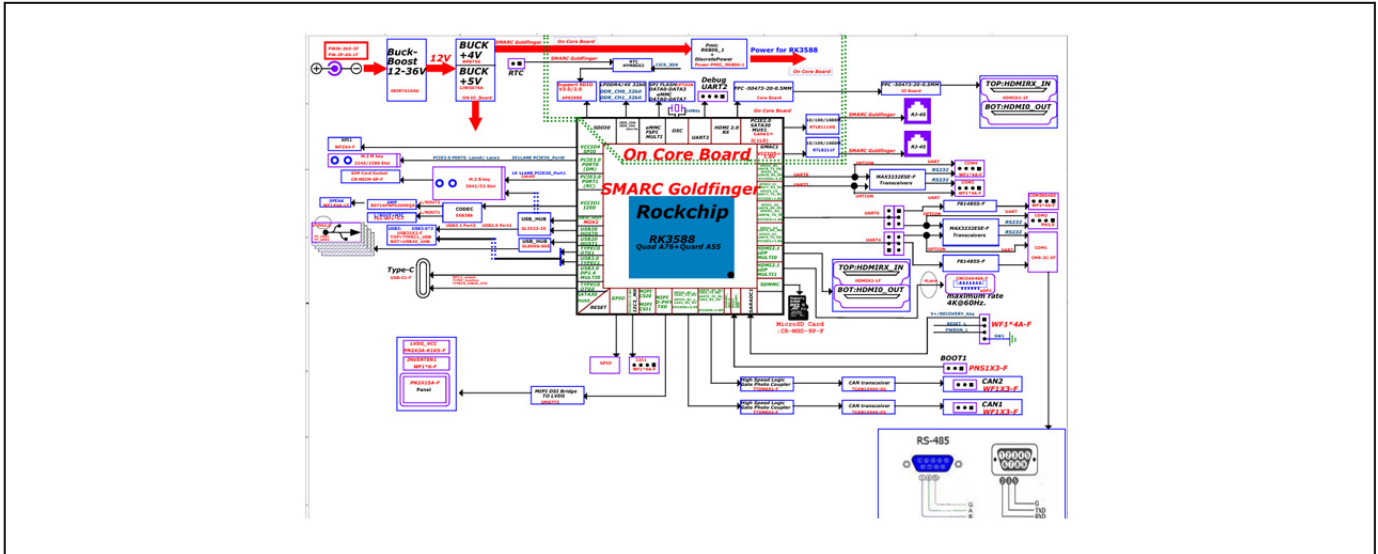
Packing List

PART NUMBER	DESCRIPTION	QTY
Part Number	Description	QTY per Board
—	F35-CRB2-358800A2 M/B	1

Specifications

SYSTEM	
MB FORM FACTOR	3.5"
CPU	For SMARC RK3588 Carrier board
WAKE ON LAN	Yes
WATCHDOG TIMER	255 Levels
RTC BATTERY	Lithium Battery
DIMENSION (W X D)	148.0 (W) x 102.0 (D) mm (5.8" x 4.0")
OS SUPPORT	Android 12.0, Linux Debian 11.0
POWER	
POWER REQUIREMENT	DC-in 12-36V
CONNECTOR	DC Jack Internal 2-pin Header
DISPLAY	
LVDS	1 x LVDS (Max. Resolution: 1920 x 1200 @60Hz)
eDP	1 x eDP (Option, Max. Resolution: 4096 x 2304@60Hz)
Type-C DP	1 x Type-C DP1.4a (Max Resolution: 4096 x 2304@60Hz)
HDMI@	1 x HDMI@ 2.1 (Max Resolution: 4096 x 2304@60Hz)
MULTIPLE DISPLAY	Support 4 Displays
AUDIO	
CODEC	2-channel HD Audio
AMPLIFIER	3W
USB PORT	
USB	Internal Header for 4 x USB 2.0 3 x USB 3.1
SERIAL PORT	
COM	Internal Header for 2 x RS-232 Internal Header for 1 x RS-422/485
INTERNAL I/O	
GPIO	8-Bit
I2C	Yes
FRONT PANEL	Audio
ADDITIONAL	1 x FP_JW 1 x Inverter 1 x HDMI in 2 x CAN BUS Header 1 x LVDS 1 x eDP 1 x Speaker header
EXPANSION	
M.2	1 x M-Key 2242/2280 (PCIe x2) support SSD 1 x B-Key 3042/3052 (USB3.0/PCIe 3.0 x1) for 4G/5G module
SIM	1 x Nano SIM Card Slot + 1 x Micro SD
OTHERs	
OTHER	1 x MXM Socket (For SMARC Board)
ENVIRONMENT & CERTIFICATION	
SHOCK	15G, 11ms duration
OPERATING TEMPERATURE	-20°C ~ 60°C (-4°F ~ 140°F)
STORAGE TEMPERATURE	-30°C ~ 70°C (-22°F ~ 158°F)
CERTIFICATION	CE/FCC Class A LVD
ESG DECLARATION	EU RoHS, China RoHS

Block Diagram



Dimension Unit: mm

