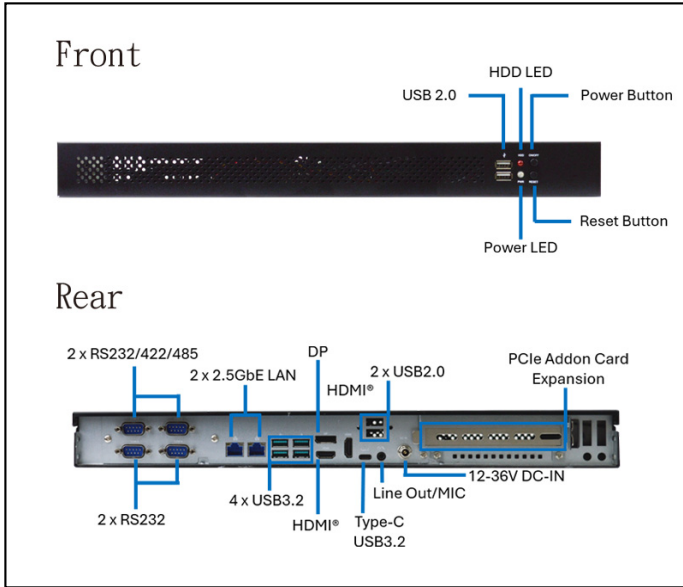


B150IARS1



Performance

Powered by Intel® LGA1851 Socket, supports up to 96GB DDR5, quad 4K display, ideal for high-performance industrial applications



Features

- Powered by Intel® LGA1851 Gen Socket Processor (Formerly Arrow Lake-S, Max. TDP 65W)
- High-Performance Memory: Dual DDR5 CSO-DIMM, up to 96GB
- Dual 2.5GbE LAN: High-speed networking
- Quad Display Support: 2 x HDMI®, 2 x DP for 4K displays
- Storage & Expansion: 2 x SATA, 2 x M.2 M-key, 1 x M.2 E-key, 1 x M.2 B-key for 4G/5G, 1 x PCIe x16 (Gen 5)
- Wide Range Power Input: DC-in 12V–36V for industrial applications
- Enhanced Security: Onboard TPM 2.0 (optional)

Packing List

PART NUMBER	DESCRIPTION	QTY
L01AS077-F	Lockable Adapter DC-19.5V/9.23A 180W, FSP180-AJBU3	1
Change according to shipping area	Power cord	1
LCSCJC150-F	JC150 Screw Pack	1
G01-SATA3-BL-1F	SATA Cable 50cm	1
G01-PW4PS-SA15-F	SATA Power Cable	1
F07-FN9628-1F	LGA1851 CPU FAN Module	1
G01-LEDG-2P-40-F	POWER LED GREEN+CABLE 40cm	1
G01-LEDR-2P-40-F	HDD LED RED+CABLE 40cm	1
G01-PWSW-2P-40-F	PW-SW+CABLE 40cm	2
HCS150MA01B-F	JC150 U Shape Handle	2
HCS150MS01B-F	JC150 L Shape Metal Clip	2
J2PCIE16RISER1AR10	PCI-E X16 RISER CARD	1

Specifications

SYSTEM	
MB FORM FACTOR	Rackmount
CPU	Intel® LGA1851 Socket, Processor Arrow Lake-S (MAX. TDP 65W)
CHIPSET	Intel® Q870
MEMORY	2 x DDR5 6400MT/s, Dual Channel CSO-DIMM, up to 96GB
BIOS	UEFI
WAKE ON LAN	Yes
WATCHDOG TIMER	255 Levels
SECURITY	TPM2.0 (dTPM, Optional)
RTC BATTERY	Lithium Battery
OS SUPPORT	Windows® 11 (64bit), Linux
POWER	
POWER REQUIREMENT	DC-in 12-36V
POWER ON MODE	AT / ATX (Default) Mode
DISPLAY	
GPU	Intel® Graphics
Type-C DP	1 x Type-C DP1.4a (Max Resolution: 4096 x 2160@60Hz)
DP	1 x DP1.4a (Max Resolution: 4096 x 2160@60Hz)
HDMI®	2 x HDMI® 2.1 TMDS (Max Resolution: 4096 x 2160@60Hz)
MULTIPLE DISPLAY	Support 4 Displays
AUDIO	
CODEC	Realtek codec
AMPLIFIER	3W
LAN	
ETHERNET	1 x RJ45 for Intel® I226-V 2.5GbE 1 x RJ45 for Intel® I226-LM 2.5GbE
SYSTEM I/O	
REAR PANEL I/O	2 x RJ45 4 x USB3.2 (Gen 2) 2 x USB 2.0 1 x USB 3.2 Gen 2 Type-C support DP1.4a display output 2 x HDMI® 1 x DP 1 x Audio (Line out, MIC Combo) 1 x DC-in (Lockable) 2 x RS-232 2 x RS-232/422/485
FRONT PANEL I/O	1 x Power Button 1 x Reset Button 1 x Power LED 1 x HDD LED 2 x USB 2.0
STORAGE	
SATA	2 x 2.5" SATA 6Gb/s internal drive bay (only Support 2.5" HDD with a height ≤ 10mm)
RAID	0, 1, 5, 10
EXPANSION	
PCIe	1 x PCIe Gen 5 x16
M.2	1 x M-Key 2242 (PCIe Gen 4 x4) support NVMe 1 x M-Key 2280 (PCIe Gen 4-4 w/ SATA interface) support NVMe 1 x E-Key 2230 (USB 2.0/PCIe Gen 4 x1) Support CNVio 1 x B-Key 3042/3052 (PCIe Gen 4x1/USB3.2/USB 2.0) Support 4G/5G Module
SIM	1 x Nano SIM Card Slot
MECHANICAL	
DIMENSIONS (W x H x D)	430.0 (W) x 252.0 (D) x 44.0 (H) mm
GROSS WEIGHT	4.2kg
NET WEIGHT	5.2kg
CONSTRUCTION	Metal Heatsink + Metal Chassis
ENVIRONMENT & CERTIFICATION	
SHOCK	15G, 11ms duration
DROP	ISTA PROJECT 1A
VIBRATION	1 Grms/ 5- 500Hz/ Operation
OPERATING TEMPERATURE	0°C ~ 50°C (32°F ~ 122°F)
STORAGE TEMPERATURE	-40°C ~ 85°C (-40°F ~ 185°F)
OPERATING HUMIDITY	10 ~ 90% Relative Humidity, Non-condensing
STORAGE HUMIDITY	10 ~ 90% @40°C, Non-condensing
CERTIFICATION	CE/FCG Class A LVD
ESG DECLARATION	EU RoHS, China RoHS, WEEE, REACH, TSCA Declaration, PRO65 Declaration, CMRT Report

